

[TopPage](#)>>[Search Result](#)>>7304CDT

# Angular Contact Ball Bearings

Bearing No. : **NACHI 7304CDT**

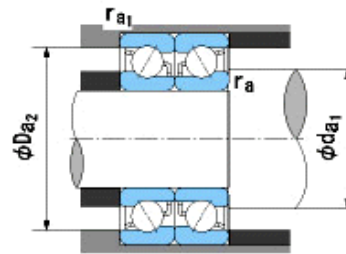
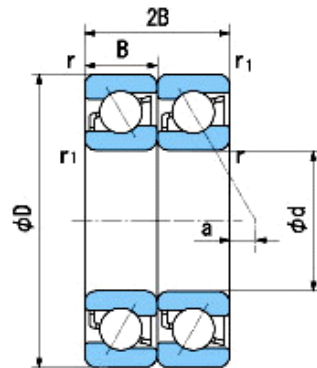
■ Bearing Type

■ Clearance

■ Tolerance Class

### Dimensions

d = 20<sup>0</sup><sub>-0.010</sub>  
 D = 52<sup>0</sup><sub>-0.013</sub>  
 B = 15<sup>0</sup><sub>0.000</sub>  
 r = 1.1~2  
 (Radial Direction)  
 r = 1.1~3.5  
 (Axial Direction)  
 r1 = 0.6~1  
 (Radial Direction)  
 r1 = 0.6~2  
 (Axial Direction)  
 a = -3.2



Dimensions  
 da1(min) = 27  
 da2(min) = 27  
 Da1(max) = 45  
 Da2(max) = 47  
 ra(max) = 1  
 ra1(max) = 0.6  
 Mass = 0.3 kg

|                                |                                 |
|--------------------------------|---------------------------------|
| Basic Dynamic Load Rating Cr : | <b>30,000</b> N                 |
| Basic Static Load Rating Cor : | <b>20,000</b> N                 |
| Limiting Speed ;               |                                 |
| Grease Lubrication :           | <b>18,000</b> min <sup>-1</sup> |
| Oil Lubrication :              | <b>25,000</b> min <sup>-1</sup> |

|                                | INNER RING   | OUTER RING   |
|--------------------------------|--------------|--------------|
| O.D.Surface Runout with Side : |              | -            |
| Axial Runout with Bore :       | -            |              |
| Axial Runout with Raceway :    | -            |              |
| Width Variation :              | <b>0.020</b> | <b>0.020</b> |
| Radial Runout :                | <b>0.013</b> | <b>0.025</b> |